



Specifications Solar Simulator LP-50A

- AAA Class
- Easy to maintenance
- Higher Stability



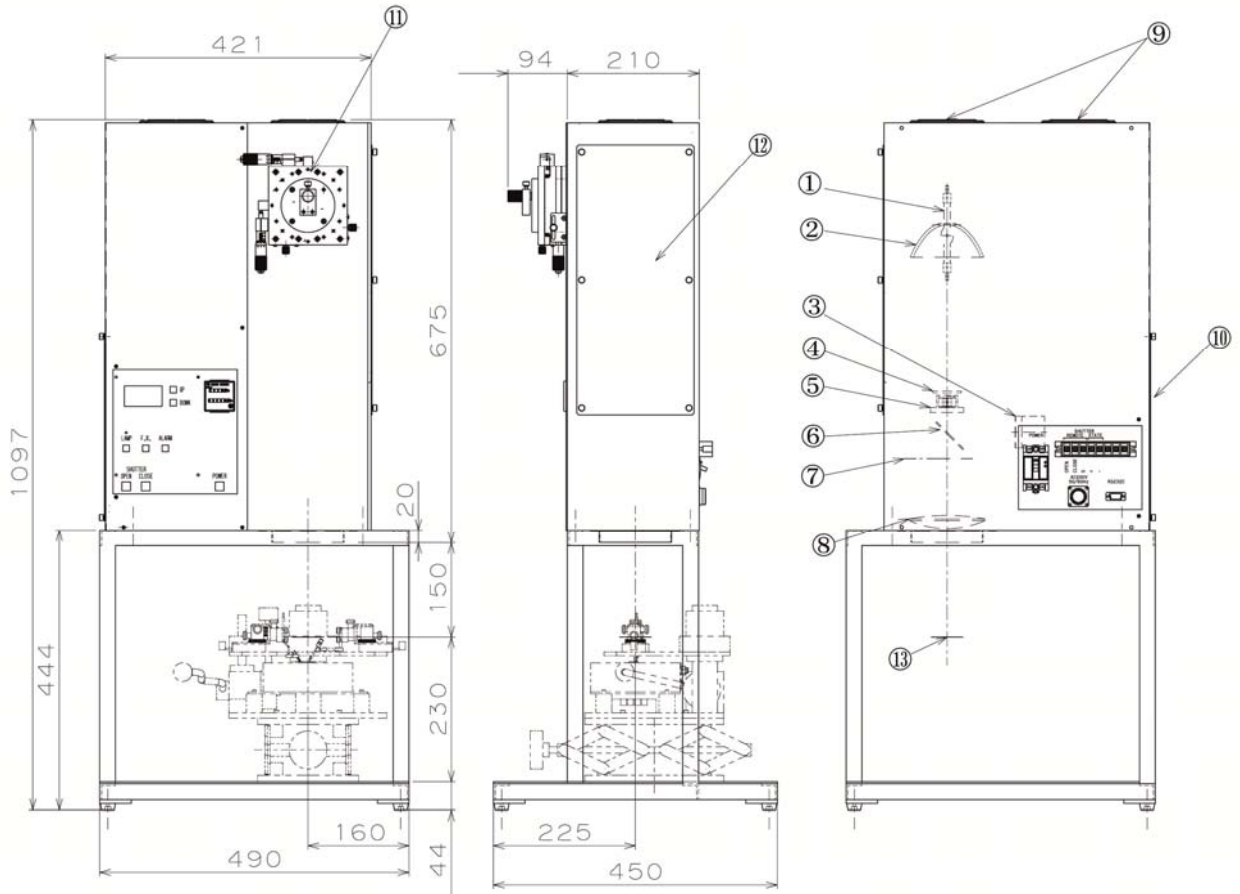
Irradiation	Continuous, Downward
Lamp	150W Xenon arc lamp
Effective irradiation area	50mm square
Irradiance (Nominal)	700W/m ² – 1,200W/m ² *1
Spectral coincidence	JIS C 8912 Class A (AM1.5, 400 ~ 1100nm) +/-25% JIS C 8933 Class A (AM1.5, 350 ~ 750nm) +/-25%
Irradiation uniformity	JIS C 8912 / 8933 Class A, +/- 2%
Temporal stability	JIS C 8912 / 8933 Class A, +/- 1%
Lamp life time	Approx. 900 hours *2
Wavelength range	300 ~ 2500nm
Collimation Angle	+/-3°
Lamp cooling	Forced air
Control	Shutter, Current adjust (Manually)
Environment	Temperature 10 ~ 35°C Humidity 30 ~ 70% (no condensation)
Power consumption	AC220, 50/60Hz, 370VA
Weight	Approx.120 kg (Main body: 90kg, Stage: 30kg)
Size	360(w) x 965(h) x 940(d) mm (Main body)

*1: The life time will be changed by the actual using condition.

*2: Switching ON and OFF frequently in short time will be cause of short life time.

Aug. 2012

EKO Instruments Co., Ltd.



1. Xenon lamp
2. Ellipsoidal mirror
3. Feedback unit
4. Airmass filter
5. Integrator lens
6. Beam splitter
7. Shutter

8. Output lens
9. Exhaust fan
10. Air intake filter
11. Lamp position adjuster
12. Lamp room hood
13. Effective irradiation area

Aug. 2012

EKO Instruments Co., Ltd.